

QUICK FLOAT TYPE LEVEL SWITCH

HQ Series



2 YEARS WARRANTY



ASME



Always The Best Solution

HITROL CO., LTD.

Overview

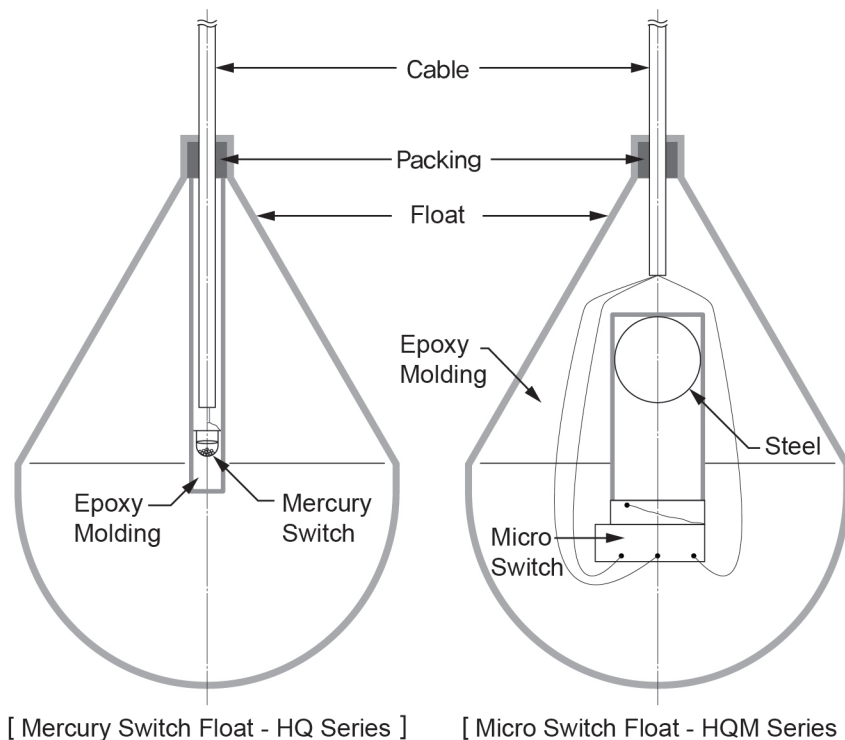
HQ Series is a Quick Float Type Level Switch which is suitable to control liquid levels in general industries, especially wastewater treatment plant and it is designed to use easily with strong structure.

Characteristics

- Simple installation
- Easy adjustment at the site
- Strong to corrosion due to no metal exposed part and long life cycle
- Simple appearance and structure
- Applicable to wastewater having floating material and high viscosity liquid

Operation Principle

- When liquid level increases, float rises by buoyancy.
- When float reaches to the setting point, the built-in mercury switch or micro switch in the float is operated with switch ON or OFF.
- When liquid level decreases, the switch is operated contrary to above situation.



Specification

► HQ-66 Series

| Model | HQ-66 | HQ-66S |
|---------------------|---|--------------------------|
| Mounting | Flange | |
| Enclosure | Weather-Proof, IP54 | |
| Process Pressure | ATM | |
| Process Temperature | Max. 60°C | Max. 150°C |
| Switch Type | Mercury Switch | |
| Contact Rating | AC 110V, 1A / DC 24V, 0.5A | |
| Contact Form | SPST(std.) / SPDT | |
| Head Material | ABS(std.), SUS 304 | SUS304 |
| Process Connection | 100A JIS 10K FF(std.) | 100A JIS 10K RF(std.) |
| Flange Material | PVC(std.) | SUS 304 |
| Float Material | ABS(∅80) | SUS 316L(∅73) |
| Cable Material | NBR(std.), Polyurethane | Silicon |
| Weight Material | C.S + ABS(std.), SUS 316L | SUS 304(std.), SUS 316L |
| Cable Entry | ABS : PF 1/2"(F)(std.) / SUS 304 : 20A Cable Connector(std.) | |
| Measuring Length | 6m(std.) | |
| Application | General liquids such as water (Cable:NBR), Acidic or oily liquids (Cable:Polyurethane) | High temperature liquids |

► HQ-36 Series, HQM-77 Series

| Model | HQ-36 | HQM-77 |
|---------------------|--|---|
| Mounting | Flange | |
| Enclosure | Weather-Proof, IP54 | |
| Process Pressure | ATM | |
| Process Temperature | Max. 60°C | |
| Switch Type | Mercury Switch | Micro Switch |
| Contact Rating | AC 110V, 1A / DC 24V, 0.5A | AC 250V, 3A / AC 125V, 5A |
| Contact Form | SPST | SPDT |
| Head Material | ABS(std.), SUS 304 | |
| Process Connection | 80A JIS 10K FF(std.) | 100A JIS 10K FF(std.) |
| Flange Material | PVC(std.) | |
| Float Material | ABS(∅60) | ABS(∅80) |
| Cable Material | NBR | NBR(std.), Polyurethane |
| Weight Material | C.S + ABS(std.), SUS 316L | |
| Cable Entry | ABS : PF 1/2"(F)(std.) / SUS 304 : 20A Cable Connector(std.) | |
| Measuring Length | 6m(std.) | |
| Application | General liquids such as water | General liquids such as water (Cable:NBR), Acidic or oily liquids (Cable:Polyurethane) |

► **Order Code** can be printed at our website (www.hitrol.com)

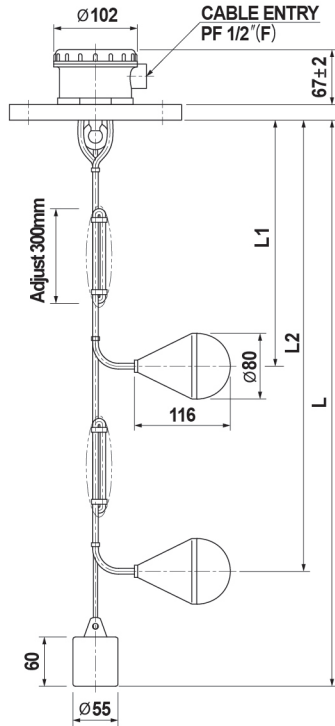


It is recommended to use our control unit together with the product and malfunction or damage of parts may be caused by outside this condition.

Dimension

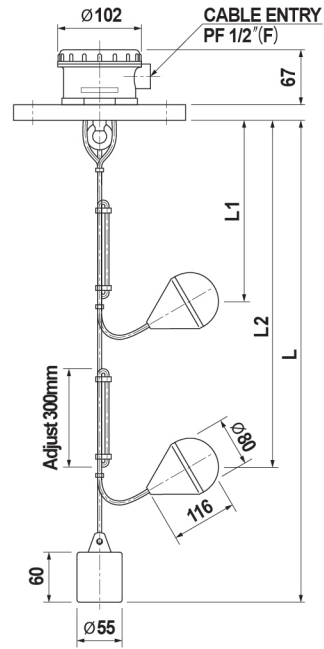
HQ-66

(ABS HEAD)



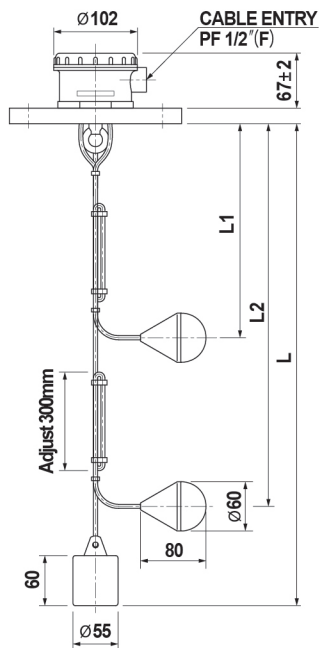
HQM-77

(ABS HEAD)



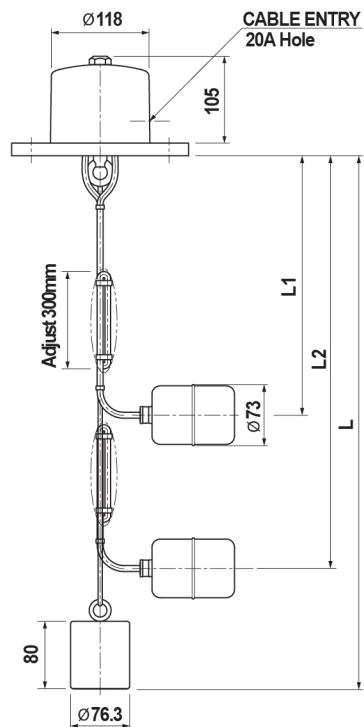
HQ-36

(ABS HEAD)

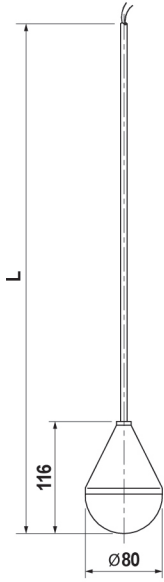


HQ-66S

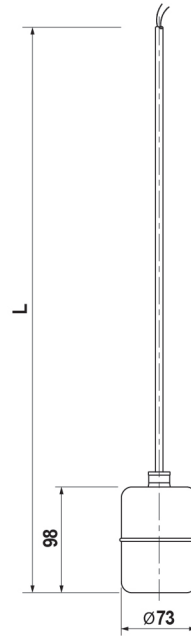
(SUS 304 HEAD)



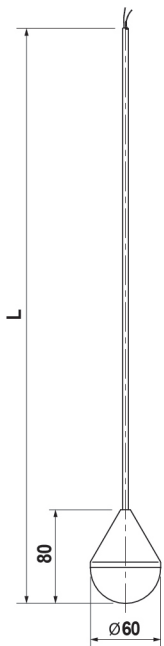
HQ-6
HQM-7



HQ-6S



HQ-3



■ Actual product may have a tolerance slightly.