

► Accuracy 0.15%



Introduction

Setech's Model YC54 is a low profile force transducer for applications with minimal space and high capacity requirement. This transducer utilizes foil strain gage to measure compression loads up to 20tonf and hysteresis of 0.1% full.

Applications



[Indicator : YD-10BS, 13BS, 3533, etc.]
[Amplifier : YSA-60A, 50A, 20A]

Features

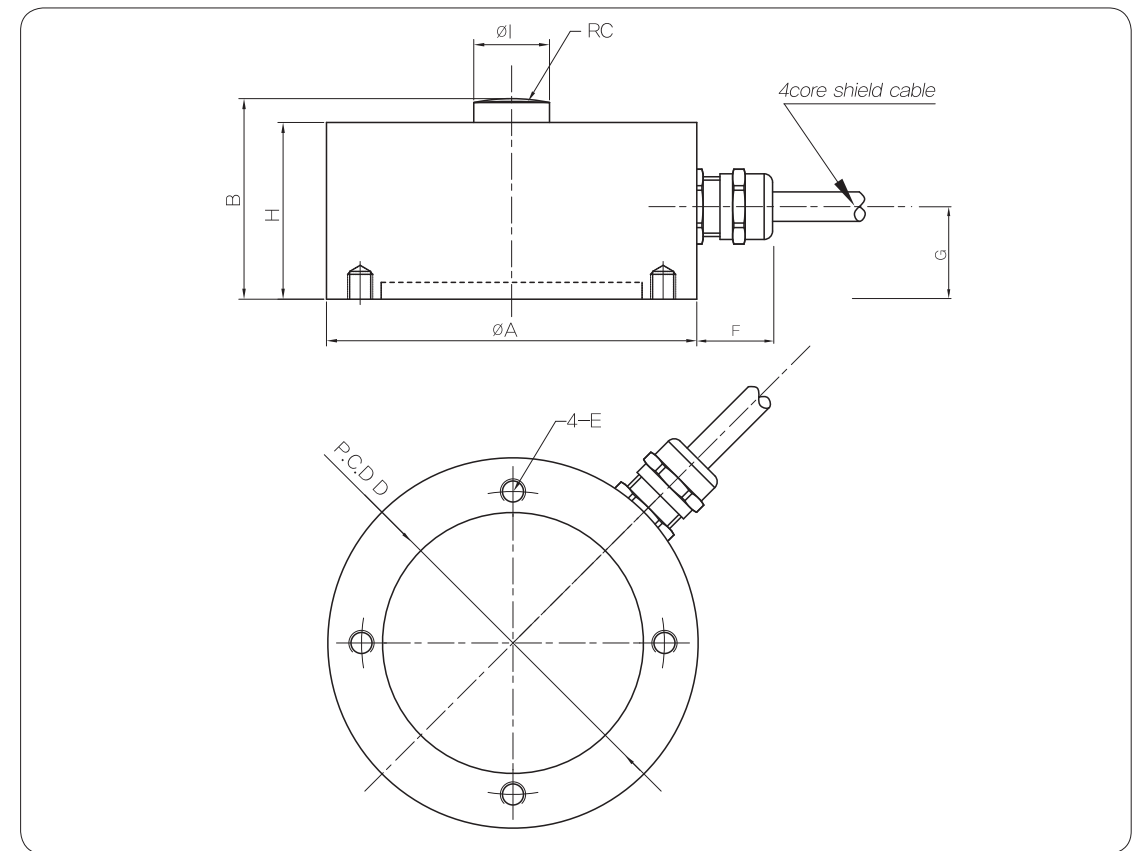
TYPE	CAPACITY	
YC54- 50K	50Kgf	490.3 N
YC54- 100K	100Kgf	980.7 N
YC54- 200K	200Kgf	1,961 KN
YC54- 500K	500Kgf	4,903 KN
YC54- 1T	1tonf	9,807 KN
YC54- 2T	2tonf	19,61 KN
YC54- 3T	3tonf	29,42 KN
YC54- 5T	5tonf	49,03 KN
YC54- 10T	10tonf	98,07 KN
YC54- 20T	20tonf	196,1 KN

Customer specific capacity range available

Specifications

Rated capacity	50kgf ~ 20tonf	Temperature range compensated	-10°C~70°C
Rated output	2mV/V±0.4%	Temperature range safe	-20°C~80°C
Nonlinearity	0.15% R.O	Temperature effect, on zero balance	0.05% R.O/10°C
Hysteresis	0.1% R.O	Temperature effect, on rated output	0.1% R.O/10°C
Repeatability	0.1% R.O	Excitation recommended	10V
Terminal resistance input	350±50Ω	Safe overload	150% R.C
Terminal resistance output	350±2Ω	Cable (50kgf ~ 5tonf)	Ø5 4core, 3m
Insulation resistance	2000MΩ	Cable (3tonf ~ 20tonf)	Ø7 4core, 3m

Dimensions



[Unit : mm]

CAPACITY	ΦA	B	C	D	E	F	G	H	ΦI
50,100,200,500kgf , 1,2,3,5 tonf	51	26	R50	42	M5X0.8 DP.0	15	10.5	22	10
10tonf	88	47	R150	72	M6X1 DP.10	23	17	42	18
20tonf	116	65	R150	98	M8X1.25 DP.10	23	22	50	26