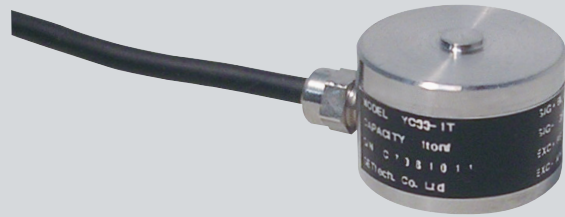


► Accuracy 0.5%



Introduction

Setech's Model YC33 load cell is a low profile force transducer for applications with minimal space and high capacity requirement. The top of the load cell is the area where the force is applied. Also, the bottom of the load cell must be placed on smooth, flat surface to obtain optimum accuracy.

Applications



[Indicator : YD-10BS, 13BS, 3533, etc.]
[Amplifier : YSA-60A, 50A, 20A]

Features

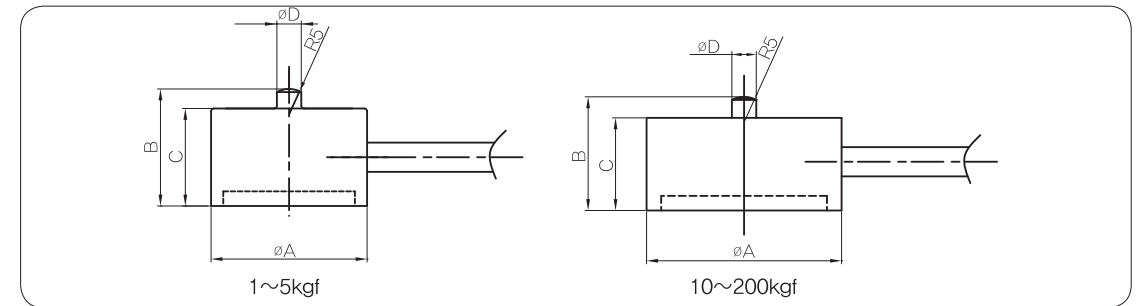
TYPE	CAPACITY	
YC33- 1K	1Kgf	9.807 N
YC33- 2K	2Kgf	19.61 N
YC33- 5K	5Kgf	49.03 N
YC33- 10K	10Kgf	98.07 N
YC33- 20K	20Kgf	196.1 N
YC33- 50K	50Kgf	490.3 N
YC33- 100K	100Kgf	980.7 N
YC33- 200K	200Kgf	1.961 KN
YC33- 500K	500Kgf	4.904 KN
YC33- 1T	1tonf	9.807 KN
YC33- 2T	2tonf	19.61 KN
YC33- 3T	3tonf	29.42 KN

Customer specific capacity range available

Specifications

Rated capacity	1kgf ~ 3000kgf	Terminal resistance input	350±10%
Rated output	0.7mV/V to 1.2mV/V	Terminal resistance output	350±5%
Nonlinearity	≤1.0% R.O(1~3tonf: ≤2.0% R.O	Temperature range allowable	-20°C~70°C
Hysteresis	1.0% R.O	Excitation recommended	5V DC
Repeatability	1.0% R.O	Safe overload	150% R.C
Cable	∅3 4core cable, 3m		

Dimensions



[Unit : mm]

CAPACITY	A	B	C	∅D	Weight(g)
1, 2, 5 kgf	16	12	10	2.5	200
10, 20, 50, 100, 200kgf	20	11.5	9.5	2.5	200
300, 500 kgf	20	14	13.3	4	300
1, 2, 3 tonf	20	14	13.3	8	300

Application

