

# Force Gauge

## > Model DN-FGA

The DN-FGA has its own characters, with facility, high resolution, which can be used for simple measurement of tension/compression force, switch test, connector insertion/withdraw test, fracture test and push pull testing equipment in a new generation.

### ■ EASY OPERATION

Buttons are well arranged for easy operation to perform multipurpose measurement.

### ■ PEAK HOLD FUNCTION

±NG,OK judgments with LED display(with open collector output)

connectable to computer through USB output cable (standard accessory)

Display reverse function,

### ■ UNIT CONVERSION

N, kgf, lbf, ozf

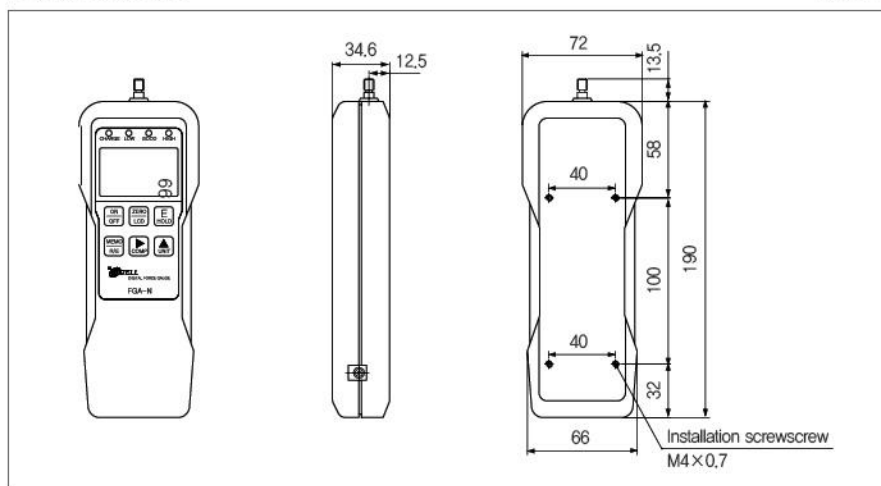
Ergonomic, heavy-duty metal construction

Full set of accessories, AC charger/adaptor and carrying case



## >DIMENSIONS

unit:mm



## >MANUAL TEST STAND



## >SPECIFICATIONS

(UNIT : kg)

Model	FGA-K2	FGA-K5	FGA-K20	FGA-K50	FGA-K100
Capacity	2,000kg	5,000kg	20,00kg	50,00kg	100,0kg
Min load	0,001kg	0,001kg	0,01kg	0,01kg	0,05kg
Sensor conformation	Sensor Inside				
Measuring accuracy	±0,2% F.S				

★ Specifications are subject to change without notice.