

Cross Roller Guide Aluminum X-Axis 4018

- Be careful when selecting left/right
- Can be sold without the micro head
- Can be used as a slider table
- Coarse/fine micro head can be added (Shortcut P.24)
- Digital micro head can be added (Shortcut P.25)
- Adjust screw can be added (Shortcut P.24)



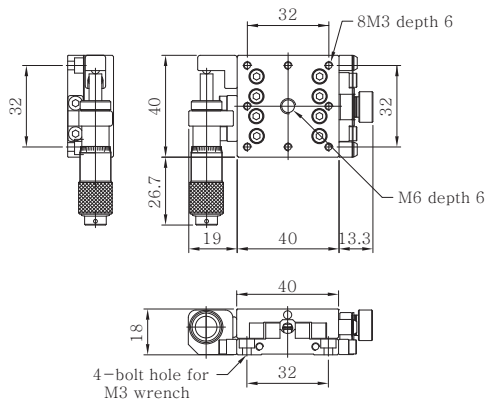
S1-4018R

-Actual product may differ from the photograph.

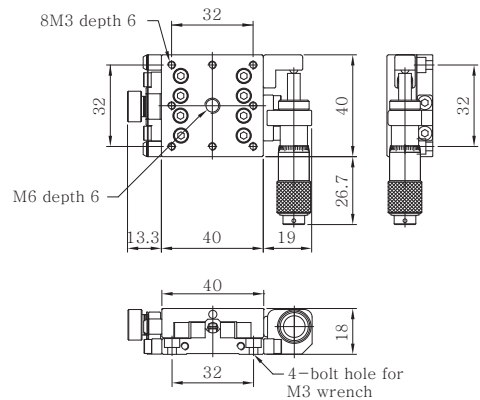
SPEC

Model Setup	S1-4018L	S1-4018R	S1-4018C	S1-4018
Micro Head Position	Left	Right	Center	-
Stage Size (mm)	40x40			
Travel (mm)	±6.5			
Resolution (mm)	10um / 1 increment			
Parallelism (mm)	0.02			
Running Parallelism (mm)	0.01			
Guide	Cross Roller Guide			
Material	Black anodized aluminum			
Load Capacity (kg/f)	2			
Weight (kg)	0.135		0.12	

S1-4018L



S1-4018R



S1-4018C

