

PS101 Series Differential Pressure Switch



Feature

- Viton rubber diaphragm
- Micro switch
- Rugged compact design
- Factory set
- High working pressure
- Shock & Vibration resistant
- Competitive price

Applications

- Filter monitoring
- Gas transmission pipeline
- Hydraulic & Pneumatic equipments
- Machine tools & automatic machinery
- HVAC

Specification

Wetted materials	Viton diaphragm, Option – Stainless steel
Setting options	Factory set
Switch max. rating	Resistive 5 A 125 V AC, 3 A 250 V AC Inductive 3 A 125 V AC, 2 A 250 V AC

Performance Table

Max. System pressure	Set point pressure	Set point tolerance	Reset band
3,5 MPa	0,095 MPa	± 1,5 % of set	0,075 ~ 0,085 MPa
3,5 MPa	0,15 MPa	± 1,5 % of set	0,12 ~ 0,14 MPa

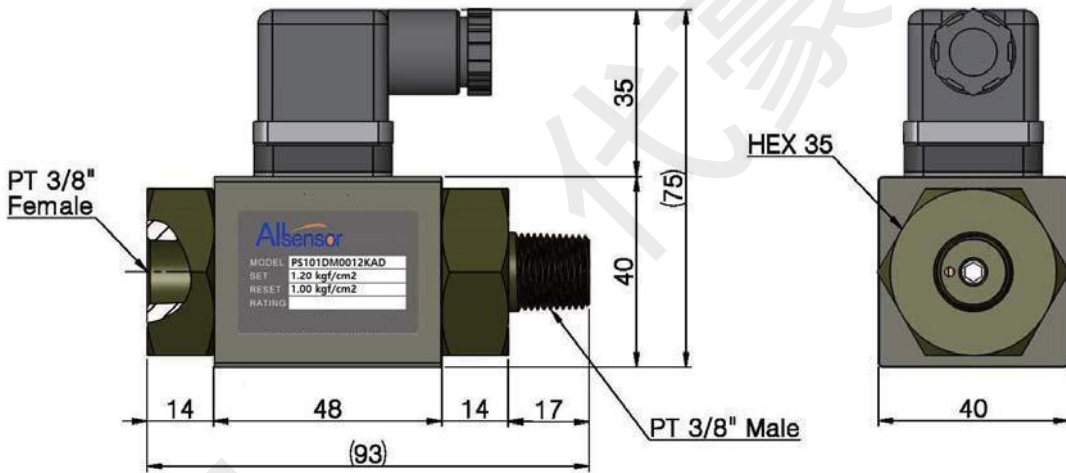
Wiring

PIN #1	Common	Black
PIN #2	Normal close	Green
PIN #3	Normal open	Red
PIN Ground		

Physical Specifications

Process connection	High Port – PT 3/8" Female Low Port – PT 3/8" Male
Electrical connection	DIN 43650
Process Media	Gases and liquids
Materials	Diaphragm – Viton Process connection – Anodized Aluminum
Influence of mounting position	Not critical
Weight	Approx . 300 g
Option	

Dimension(mm)



Ordering Information

